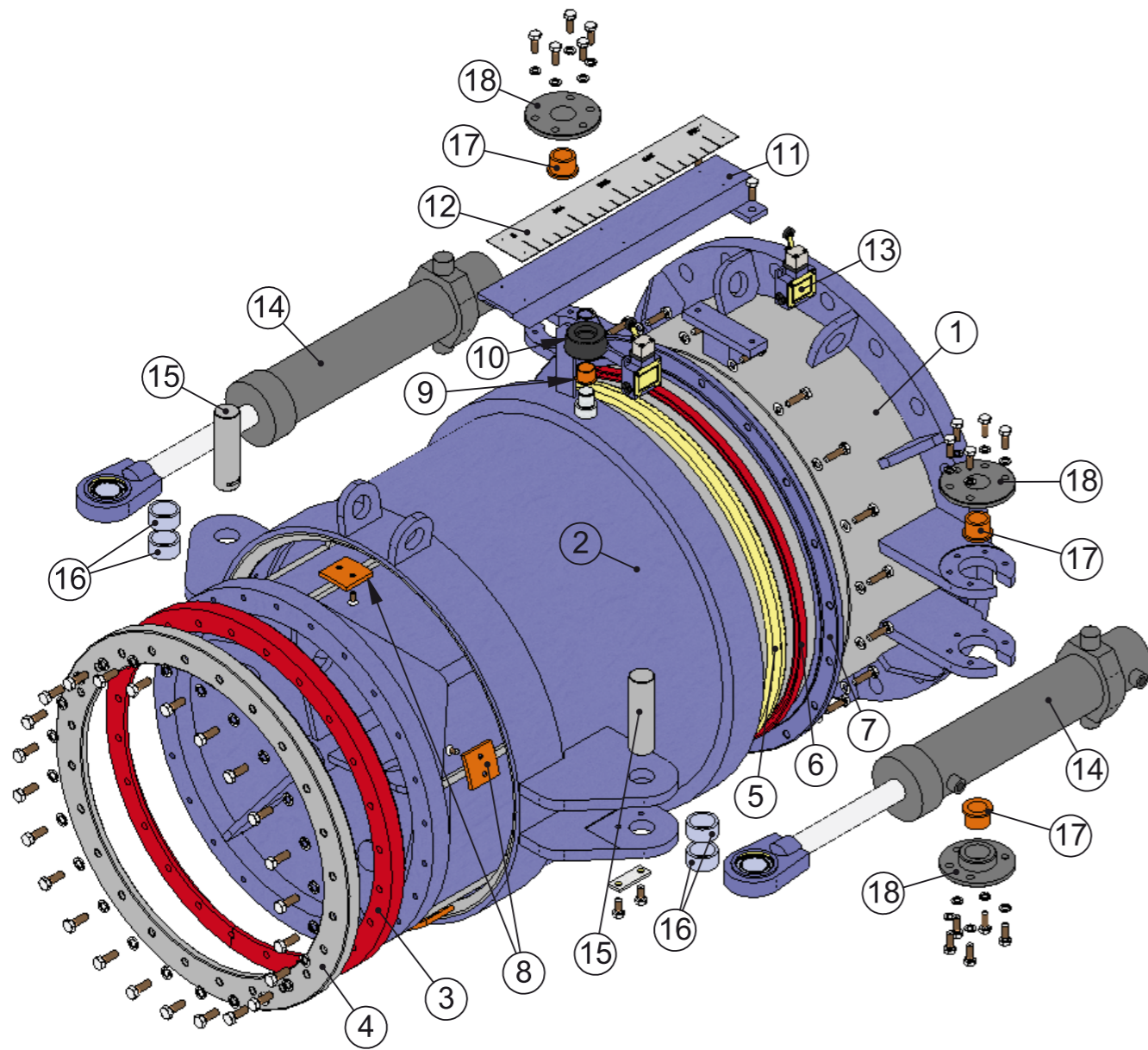


# VALVULAS DE DESCARGA DE CHORRO HUECO Serie-HD PROGRAMA DE FABRICACION

## HOLLOW JET BLEEDER VALVES HD-Series FABRICATION RANGE



| POS. | DESCRIPCION / DESCRIPTION                       | MATERIAL             |
|------|---|----------------------|
| 1    | CUERPO / BODY                                   | S275JR + AISI-304    |
| 2    | CAMISA / JACKET                                 | S275JR + AISI-304    |
| 3    | ASIENTO / SEAT                                  | EPDM                 |
| 4    | BRIDA JUNTA / JOINT FLANGE                      | AISI-304             |
| 5    | CONTRACOLLARIN / COLLAR RETAINER                | CESTIDUR             |
| 6    | COLLARIN / COLLAR                               | EPDM                 |
| 7    | TAPA COLLARIN / COLLAR COVER                    | AISI-316             |
| 8    | DESIZADERAS / SLIDES                            | BRONCE / BRONZE      |
| 9    | CASQUILLO AUTOLUBRICADO / AUTOLUBRICATED SOCKET | BRONCE / BRONZE      |
| 10   | RUEDA GUIA / GUIDE WHEEL                        | F-111                |
| 11   | SOPORTE RUEDA GUIA / GUIDE WHEEL SUPPORT        | S275JR               |
| 12   | REGLA INDICADORA / INDICATION RULE              | ALUMINIO / ALUMINIUM |
| 13   | FINAL DE CARRERA / LIMIT SWITCHES               | ---                  |
| 14   | CILINDRO HIDRAULICO / HYDRAULIC CYLINDER        | ---                  |
| 15   | BULON / BOLT                                    | AISI-420             |
| 16   | CASQUILLO DISTANCIADOR / SPACER SOCKET          | ST-52                |
| 17   | CASQUILLO AUTOLUBRICADO / AUTOLUBRICATED SOCKET | BRONCE / BRONZE      |
| 18   | TAPA GUIA CILINDRO / CYLINDER COVER GUIDE       | S275JR               |
| 19   | TORNILLERIA / SCREWS                            | A-2                  |
| 20*  | DEFLECTOR / DEFLECTOR                           | S275JR               |

\* Este elemento es opcional. Puede ser móvil o estático.  
This element is optional. It can be mobile or static.

OBSERVACIONES: Otros materiales bajo consulta.  
NOTE: Other materials under request.

CONSTRUCCIONES METALICAS DE OBTURACION, S.L.



VÁLVULAS Y COMPUERTAS

Tel.: (+34) 902 40 80 50 - (+34) 943 67 33 99  
Fax: (+34) 902 40 80 51 - (+34) 943 67 24 40  
MADRID - BARCELONA - TOLOSA (SPAIN)  
E-mail: cmo@cmo.es Web: www.cmo.es



### - UTILIZACIÓN:

Válvula disipadora de energía hidráulica y regulación  
Aplicación principal: final de línea en presas y embalses.

### - UTILIZATION:

Valve for dissipate hydraulic energy and regulation.  
Main application: End of line in dams and reservoirs.



GESTION DE LA CALIDAD CERTIFICADA

QUALITY MANAGEMENT CERTIFIED



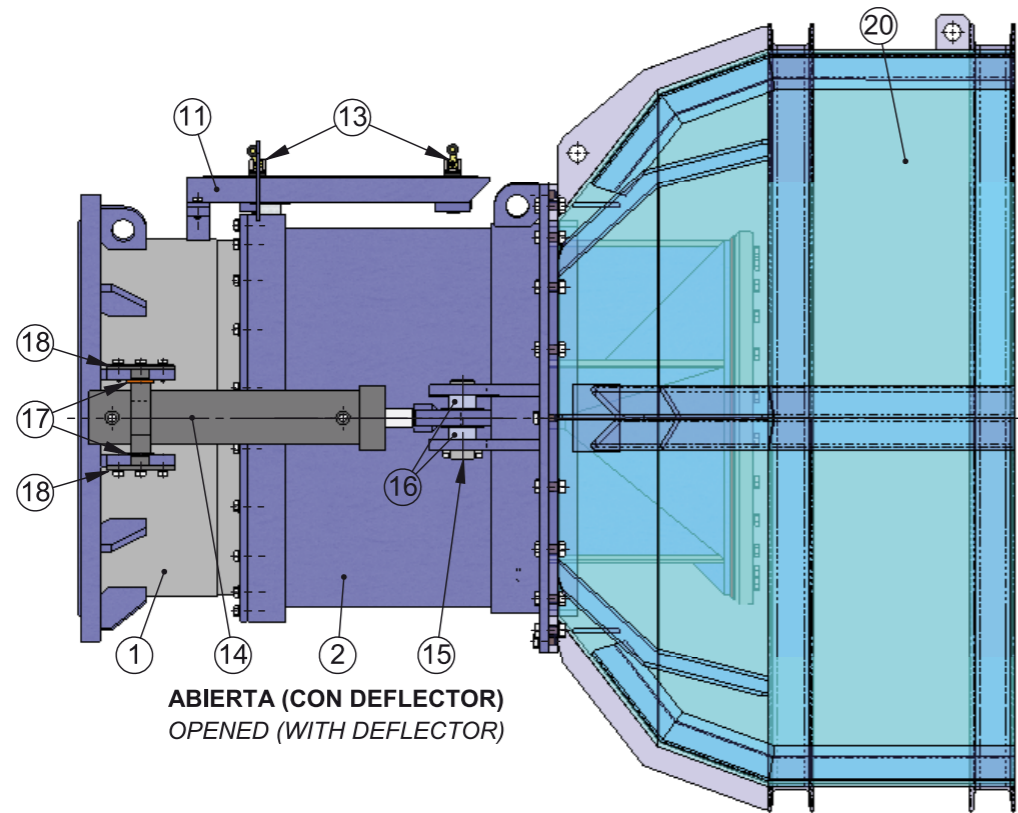


## DIMENSIONES / DIMENSIONS

| DN<br>ND | GENERALES / GENERALS |      |     |      |      | EN 1092-2 PN-10 |      |    |       |      | DN<br>ND |
|----------|----------------------|------|-----|------|------|-----------------|------|----|-------|------|----------|
|          | A                    | B    | R   | H    | ØC   | ØD              | ØK   | Ød | Cant. | ØG   |          |
| 150      | 405                  | 180  | 105 | 467  | 180  | 285             | 240  | 22 | 8     | 212  | 150      |
| 200      | 465                  | 232  | 140 | 567  | 236  | 340             | 295  | 22 | 8     | 268  | 200      |
| 250      | 530                  | 284  | 175 | 667  | 294  | 395             | 350  | 22 | 12    | 320  | 250      |
| 300      | 580                  | 335  | 210 | 765  | 348  | 445             | 400  | 22 | 12    | 370  | 300      |
| 350      | 680                  | 368  | 236 | 872  | 402  | 505             | 460  | 22 | 16    | 430  | 350      |
| 400      | 780                  | 400  | 261 | 979  | 456  | 565             | 515  | 26 | 16    | 482  | 400      |
| 500      | 910                  | 444  | 295 | 1080 | 552  | 670             | 620  | 26 | 20    | 585  | 500      |
| 600      | 1040                 | 485  | 335 | 1182 | 652  | 780             | 725  | 30 | 20    | 685  | 600      |
| 700      | 1135                 | 542  | 422 | 1350 | 770  | 895             | 840  | 30 | 24    | 800  | 700      |
| 800      | 1230                 | 598  | 509 | 1545 | 870  | 1015            | 950  | 33 | 24    | 905  | 800      |
| 900      | 1325                 | 654  | 596 | 1770 | 972  | 1115            | 1050 | 33 | 28    | 1005 | 900      |
| 1000     | 1420                 | 710  | 683 | 1963 | 1072 | 1230            | 1160 | 36 | 28    | 1110 | 1000     |
| 1100     | 1540                 | 761  | 697 | 2018 | 1176 | 1345            | 1270 | 36 | 32    | 1220 | 1100     |
| 1200     | 1655                 | 810  | 710 | 2075 | 1279 | 1455            | 1380 | 39 | 32    | 1330 | 1200     |
| 1400     | 1890                 | 916  | 737 | 2182 | 1474 | 1675            | 1590 | 42 | 36    | 1535 | 1400     |
| 1500     | 2005                 | 967  | 750 | 2236 | 1574 | 1785            | 1700 | 42 | 36    | 1650 | 1500     |
| 1600     | 2125                 | 1019 | 765 | 2291 | 1675 | 1915            | 1820 | 48 | 40    | 1760 | 1600     |
| 1800     | 2360                 | 1120 | 815 | 2400 | 1876 | 2115            | 2020 | 48 | 44    | 1960 | 1800     |
| 2000     | 2590                 | 1224 | 870 | 2550 | 2080 | 2325            | 2230 | 48 | 48    | 2170 | 2000     |

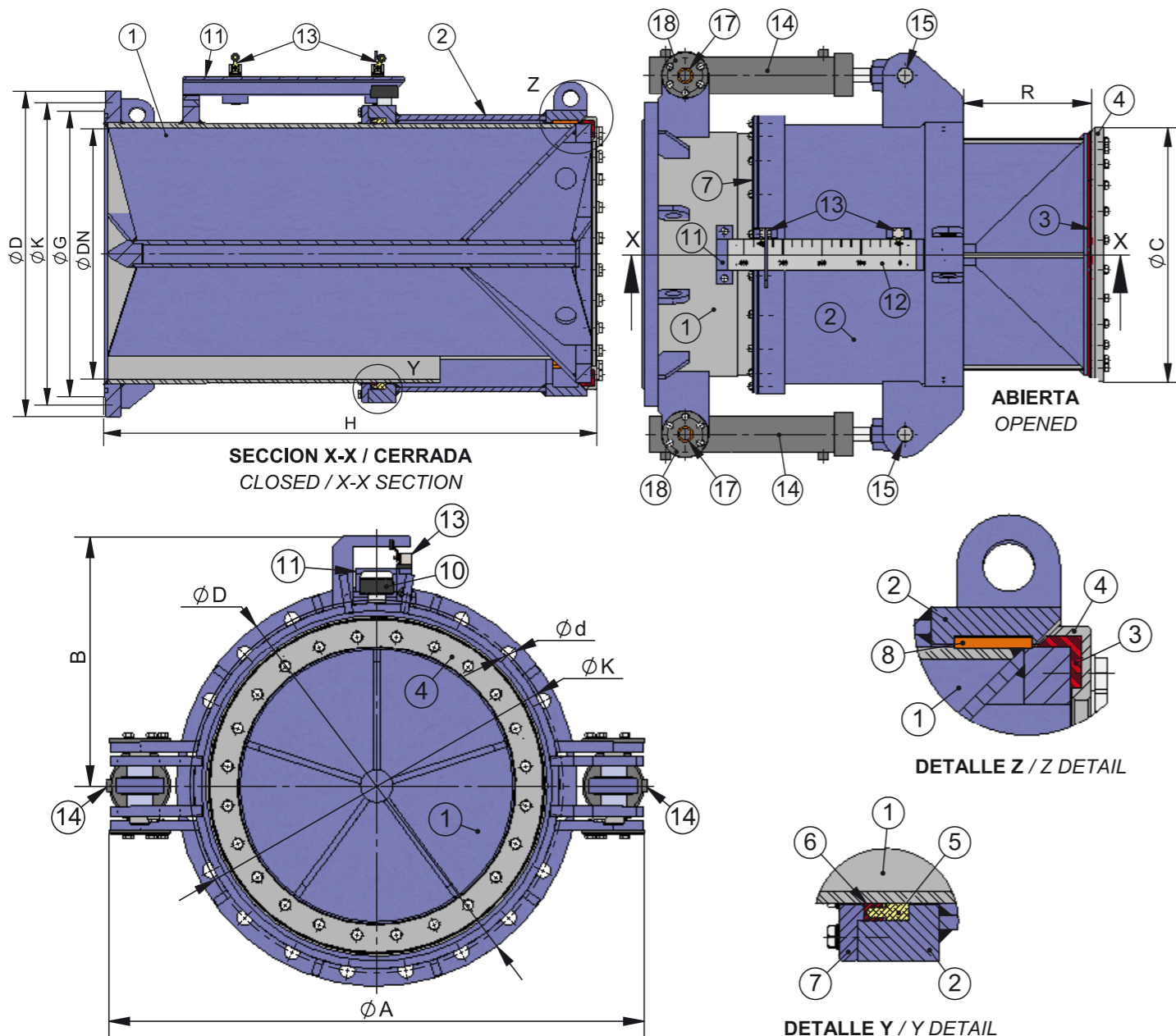
Cotas y dibujos sin compromiso. CMO S.L. se reserva, en cualquier momento, el derecho de modificarlos a discreción y sin previo aviso.

Dimensions and drawings without obligation. CMO S.L. reserves, at any moment, the right of their modification at its own discretion and without any previous notice.



ABIERTA (CON DEFLECTOR)  
OPENED (WITH DEFLECTOR)

## OPCIONES / OPTIONS

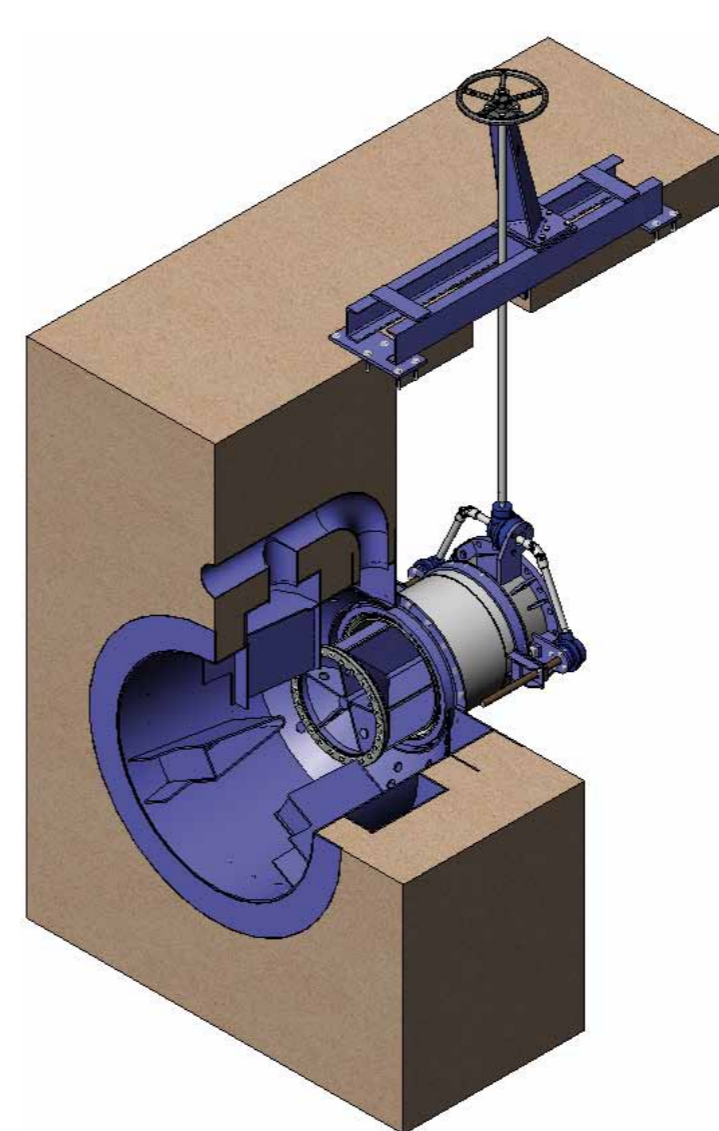


SECCION X-X / CERRADA  
CLOSED / X-X SECTION

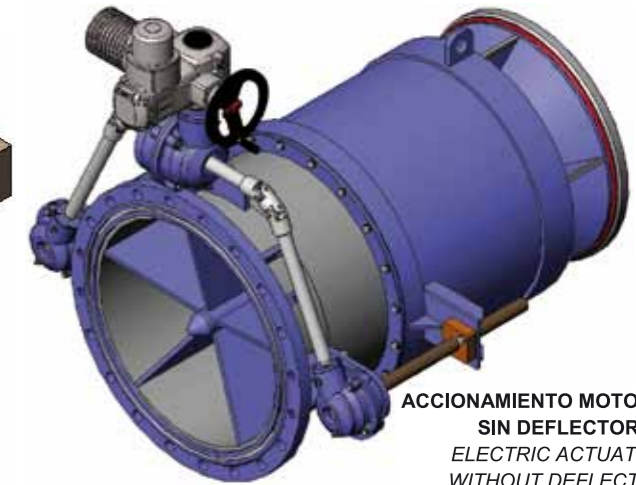
ABIERTA  
OPENED

DETALLE Z / Z DETAIL

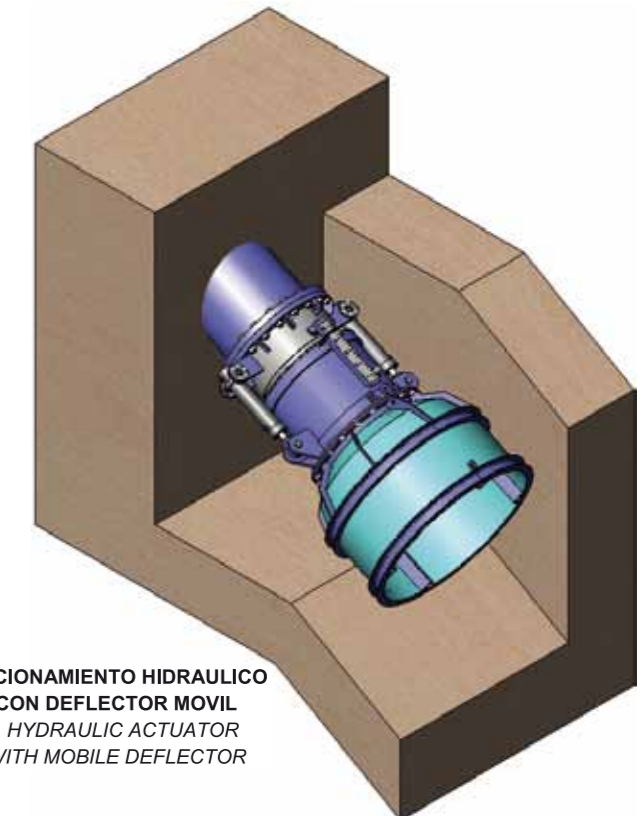
DETALLE Y / Y DETAIL



ACCIONAMIENTO MANUAL - CON DEFLECTOR FIJO  
HANDWHEEL ACTUATOR - WITH STATIC DEFLECTOR



ACCIONAMIENTO MOTORIZADO  
SIN DEFLECTOR  
ELECTRIC ACTUATOR  
WITHOUT DEFLECTOR



ACCIONAMIENTO HIDRAULICO  
CON DEFLECTOR MOVIL  
HYDRAULIC ACTUATOR  
WITH MOBILE DEFLECTOR