



**CMO VALVES**

manufacturing the valve you need



# 21A SERIES



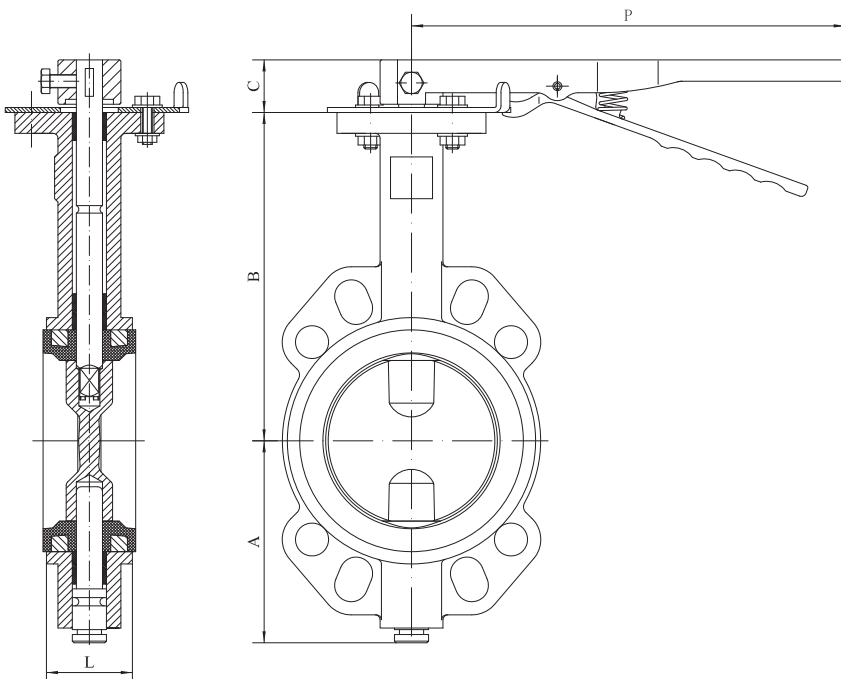
## FABRICATION RANGE *WAFER BUTTERFLY VALVE*

### UTILIZATION:

- Wafer butterfly valve for supply, pumping, irrigation, drinking water supply, treatment and pumping of dirty water, etc.
- It has low head loss, and it is 100% watertight.

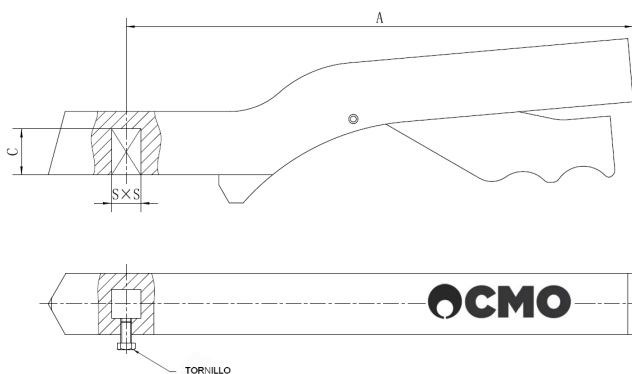
# 21 - SERIES

## BUTTERFLY VALVES



### DIMENSIONS

DN	A	B	C	P	L
40	79	145			33
50	85	162			43
65	98	174			45
80	104	181			45
100	123	200			52
125	136	213			54
150	148	225			56
200	186	260			60
250	212	292	38	360	66
300	251	337	38	360	77



### DIMENSIONS

DN	A	S	C min
40-80	79	145	28
100	85	162	28
125-150	98	174	28
200	104	181	28

The images and drawings are non contractual.  
The specifications of the shown products could vary without previous notice.

# 21 - SERIES

## BUTTERFLY VALVES

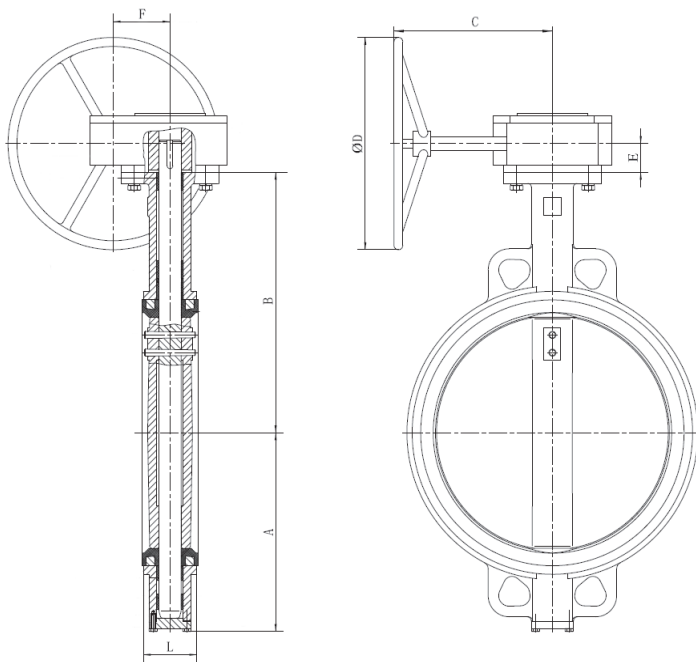


### GENERAL FEATURES:

- Low head loss.
- 100% watertight.
- Bidirectional flow.
- No gaskets are needed for installation.
- Stainless steel bolts.
- Working temperature between -10°C and 90°C.

### STANDARDS APPLIED:

- Hydrostatic tests according to EN 12266-1, class A.
- EC Directive.
- Distance between flanges according to EN 558 series 20.
- Top flange (optional) according to ISO 5211.

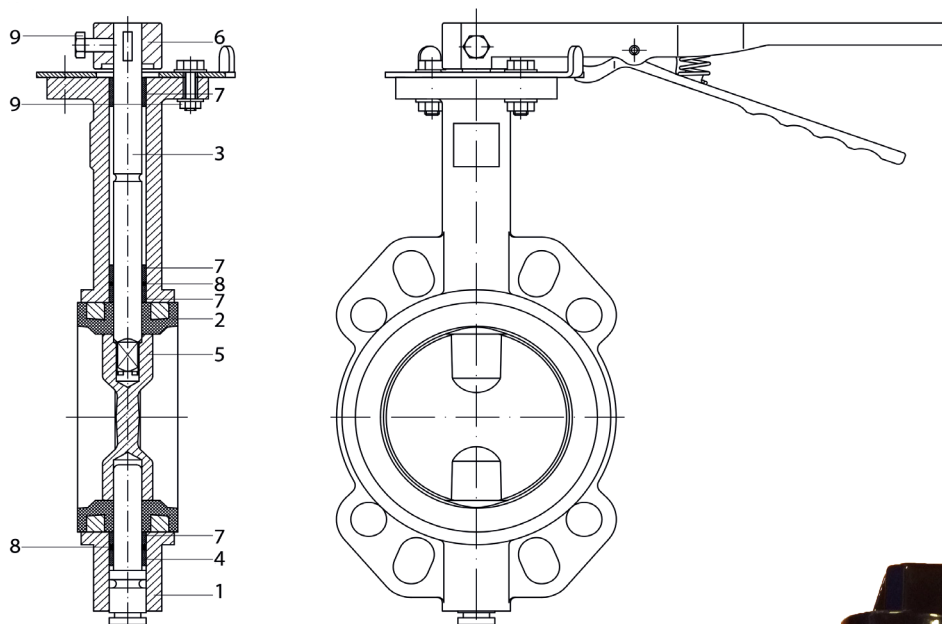


### DIMENSIONS

DN	A	B	C	D	E	F	L
40	79	145					33
50	85	162					43
65	98	174					45
80	104	181	144	260	27	43	45
100	123	200					52
125	136	213					54
150	148	225					56
200	186	260	208	360	39	66	60
250	212	292					66
300	251	337	225	360	37	80	77
350	277	368	226	81	42	81	77
400	308	400	217	125	48	95	86
450	342	422	217	125	48	95	105
500	374	479	320	360	115	185	130
600	459	562	335	360	120	185	152

# 21 - SERIES

## BUTTERFLY VALVES



### DESCRIPTION

1	BODY	GJS400
2	SEAT	EPDM
3	UPPER SHAFT	AISI 420
4	LOWER SHAFT	AISI 420
5	DISC	GJS400 / CF8M
6	HAND LEVER	ALUMINUM / GJS400
7	BUSHES	PTFE
8	O-RINGS	EPDM
	BOLTS	A2
	PAINTING RAL 5015	Epoxy 250 µm

