



CMO VALVES
manufacturing the valve you need

22A SERIES



FABRICATION RANGE *LUG BUTTERFLY VALVE*

UTILIZATION:

- Lug butterfly valve used for supplying, pumping, irrigation, drinking water supply, treatment and pumping of dirty waters, etc.
- It has low head loss, and it is 100% watertight.

22 - SERIES

LUG BUTTERFLY VALVES

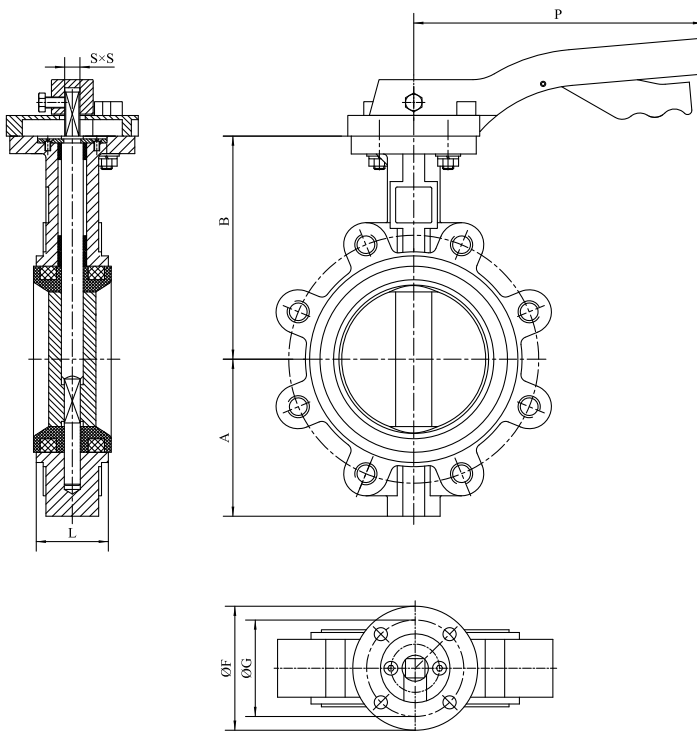


GENERAL FEATURES:

- Low head loss.
- 100% watertight.
- Bidirectional flow.
- No gaskets needed for installation.
- Stainless steel bolts.
- Working temperature between -10°C and 90°C.

STANDARDS APPLIED:

- Hydrostatic tests according to EN 12266-1, class A.
- EC Directive.
- Flange holes according to ISO 7005-2.
- Distance between flanges according to EN 558 series 20.
- Top flange (optional) according to ISO 5211.



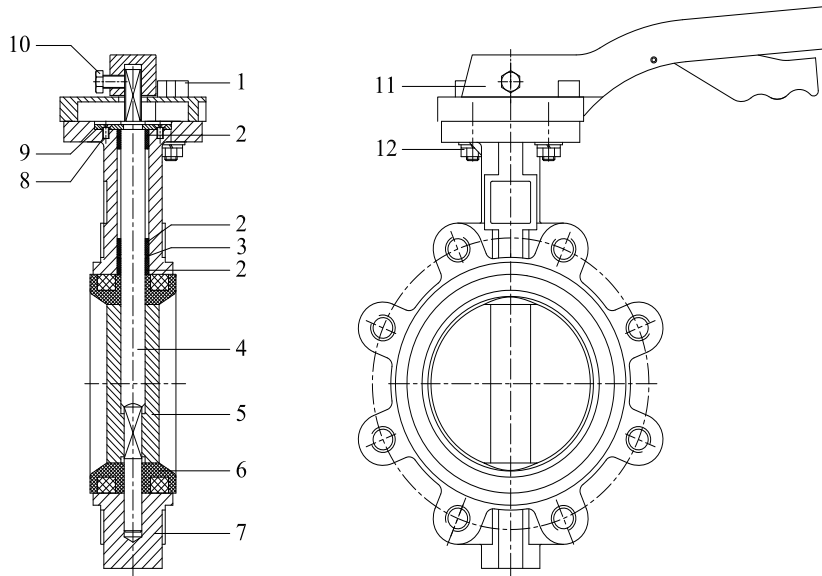
DIMENSIONS

DN	A	B	F	G	P	S
40	70	124	65	50	198	9
50	76	129	65	50	198	9
65	89	126	65	50	198	9
80	95	144	65	50	198	9
100	114	162	90	70	270	11
125	127	188	90	70	270	14
150	139	204	90	70	270	14
200	177	238	90	70	270	17
250	203	282	125	102	540	22
300	242	311	125	102	540	22

The images and drawings are non contractual.
The specifications of the shown products could vary without previous notice.

22 - SERIES

LUG BUTTERFLY VALVES



DESCRIPTION

1	<i>LOCKING PLATE</i>	<i>ALUMINUM</i>
2	<i>BUSHING</i>	<i>PTFE</i>
3	<i>O-RING</i>	<i>EPDM</i>
4	<i>STEM</i>	<i>AISI 420</i>
5	<i>DISC</i>	<i>GJS400 / CF8M</i>
6	<i>SEAT</i>	<i>EPDM</i>
7	<i>BODY</i>	<i>GJS400</i>
8	<i>SCREW</i>	<i>A2</i>
9	<i>THRUST WASHER</i>	<i>CARBON STEEL</i>
10	<i>SCREW</i>	<i>A2</i>
11	<i>LEVER</i>	<i>ALUMINUM/CAST IRON</i>
12	<i>BOLTS AND NUTS</i>	<i>A2</i>
	<i>PAINTING RAL 5015</i>	<i>Epoxy 250 μm</i>